

MICRO SWITCH

A DIVISION OF MINNEAPOLIS-HONEYWELL REGULATOR COMPANY
PREEPORT, ILLINOIS

FED. MFR. CODE 91929

SWITCH - BASIC

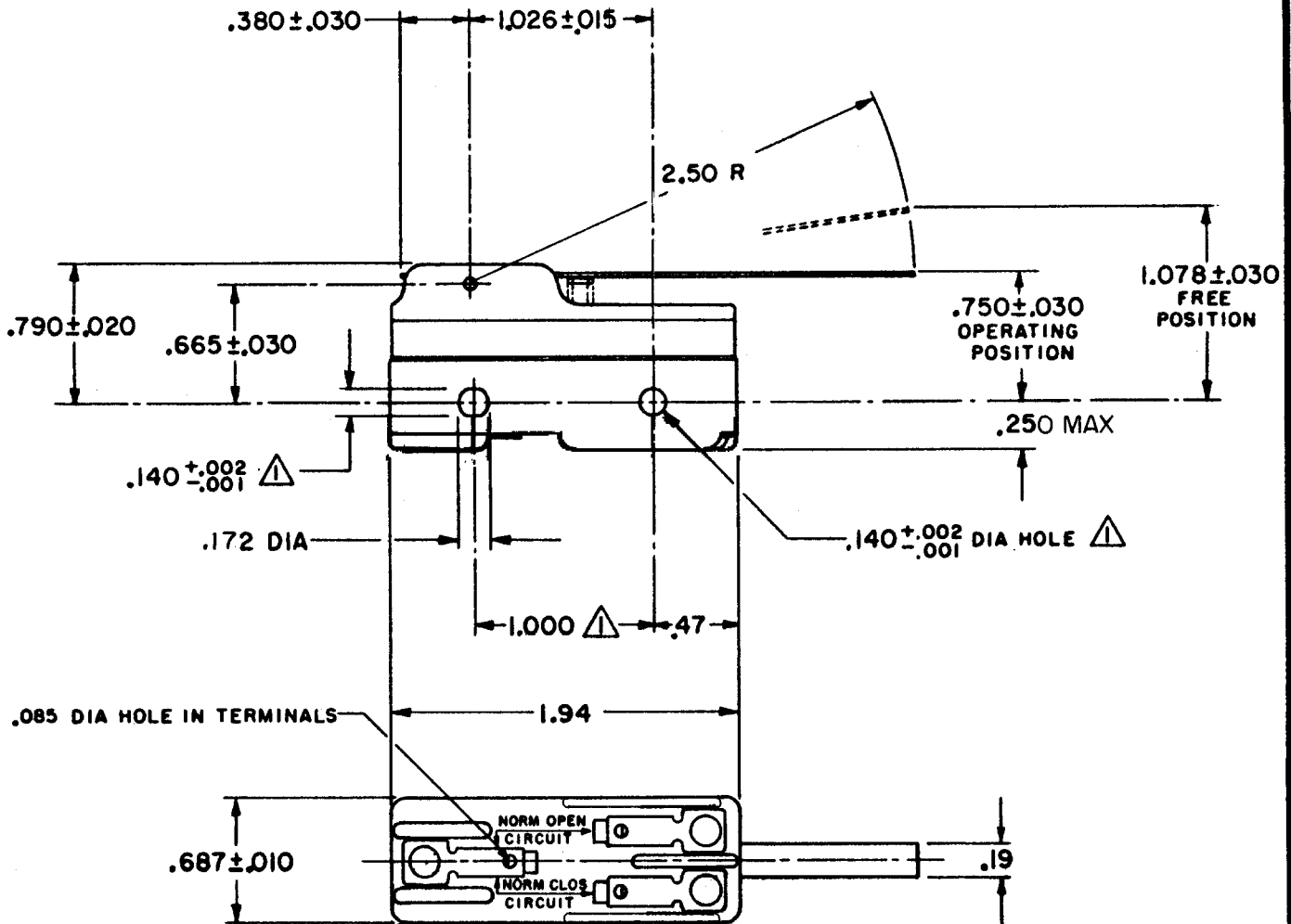
CATALOG LISTING
BZ-2RW80

DRAWING NUMBER
BZ-2RW80
PAGE 1 OF 1

ISSUE
M
13

REVISIONS

A	CO 18736	6 CH 6 APRIL 62
B	CO34306	
K	P K 3 JUN 75	
C	CO 46304	
R	J H 21 NOV 79	
D	CO 58037	
SMA	1 OCT 85	
E	CO- 78874	
DLT	18 NOV 94	
F	CO93346	
DLT	11 SEP 98	
G	CO- 94212-J	
J J A	5 OCT 99	



NOTE
▲ MOUNTING HOLES WILL ACCEPT PINS OR SCREWS OF .139 MAX DIA ON 1.000 ± .002 CENTERS.

THIS DRAWING COVERS A PROPRIETARY ITEM AND IS THE PROPERTY OF MICRO SWITCH, A DIVISION OF MINNEAPOLIS-HONEYWELL REGULATOR CO. THIS DRAWING IS NOT TO BE COPIED OR USED WITHOUT THE APPROVAL OF MICRO SWITCH.

CHARACTERISTICS	
OPERATING FORCE-----	2 1/2 OZ MAX
RELEASE FORCE-----	1/2 OZ MIN
DIFFERENTIAL TRAVEL-----	.007-.050
OVERTRAVEL-----	.219 MIN

ELECTRICAL DATA	
CONTACT ARRANGEMENT S P D T	
UNDERWRITERS' LAB. INC. LISTED RATING	
-L96-	15A-125, 250, OR 480 VAC
	1/2 A-125 VDC; 1/4 A-250 VDC
	1/8 HP-125 VAC; 1/4 HP-250 VAC
-L288-	
-L299-	
-L306-	
	16A 250V ~ T85 5E4

SCALE FULL		
DO NOT SCALE PRINT		
UNLESS OTHERWISE SPECIFIED DIMENSIONS ARE IN INCHES		
TOLERANCES ARE:		
ONE PLACE (.0)	±.030	
TWO PLACE (.00)	±.015	
THREE PLACE (.000)	±.005	
ANGLES	±	
WEIGHT .060 LB		

FORMTEK
FO-50378
DRAWN
G C H 6 APRIL 62
CHECK
DAW 17 APR 62
CHECK

REPLACES

RELEASE NO.

CHECK

CHECK

CHECK

CHECK

CHECK